

### LUCERNE™ WALL-HUNG LAVATORY

- Wall-hung sink
- Vitreous china
- Front overflow
- D-shaped bowl
- Self-draining deck area with contoured back and side splash shields
- Faucet ledge

#### Faucet holes on 203mm (8") centers (Illus.):

- 0356.028** For exposed bracket support  
Shown with 4801.862 Amarelis Heritage faucet with Triune Cross handles (not included)
- 0356.015** For wall hanger (included) or concealed arms support
- 0356.037** For wall hanger (included) or concealed arms support
  - Extra right-hand hole
- 0356.073** For wall hanger (included) or concealed arms support
  - Extra left-hand hole

#### Faucet holes on 102mm (4") centers:

- 0355.027** For exposed bracket support
- 0355.012** For wall hanger (included) or concealed arms support
- 0355.034** For wall hanger (included) or concealed arms support
  - Extra right-hand hole
- 0355.056** For wall hanger (included) or concealed arms support
  - Extra left-hand hole

#### Single center faucet hole (Illus.):

- 0356.041** For exposed bracket support  
Shown with 1340.000 metering faucet (not included)
- 0356.421** For wall hanger (included) or concealed arms support
- 0356.137** For wall hanger (included) or concealed arms support
  - Extra right-hand hole
- 0356.115** For wall hanger (included) or concealed arms support
  - Extra left-hand hole

#### Nominal Dimensions:

521 x 464mm  
(20-1/2" x 18-1/4")

#### Bowl sizes:

381mm (15") wide  
254mm (10") front to back  
165mm (6-1/2") deep

#### Compliance Certifications -

#### Meets or Exceeds the Following Specifications:

- ASME A112.19.2 for Vitreous China Fixtures



**0356.028**



**0356.041**

SEE REVERSE FOR ROUGHING-IN DIMENSIONS

#### To Be Specified:

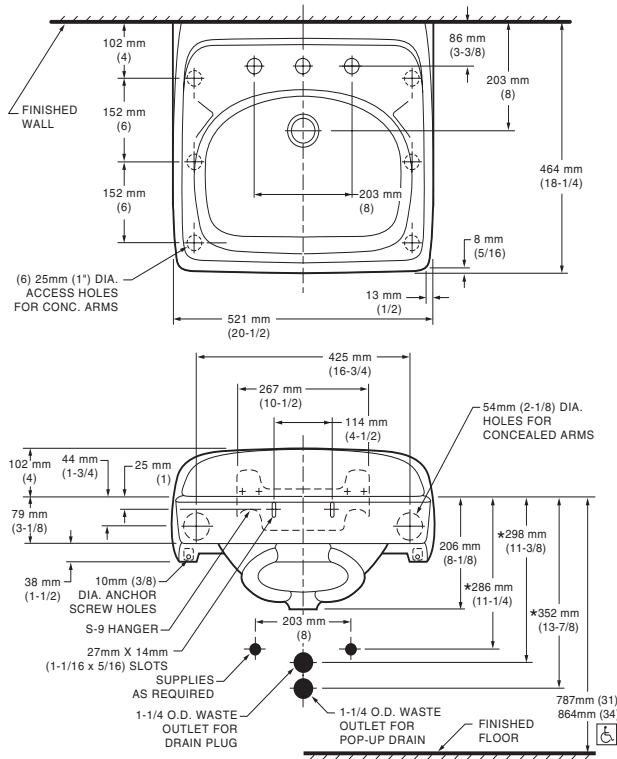
- Color:  White  Bone  Silver  
 Black  Linen
- Faucet\*:
- Faucet Finish:
- Supplies:
- 1-1/4" Trap:
- Nipple:
- Bracket Support (by others):
- Concealed Arms Support (by others):

\* See faucet section for additional models available

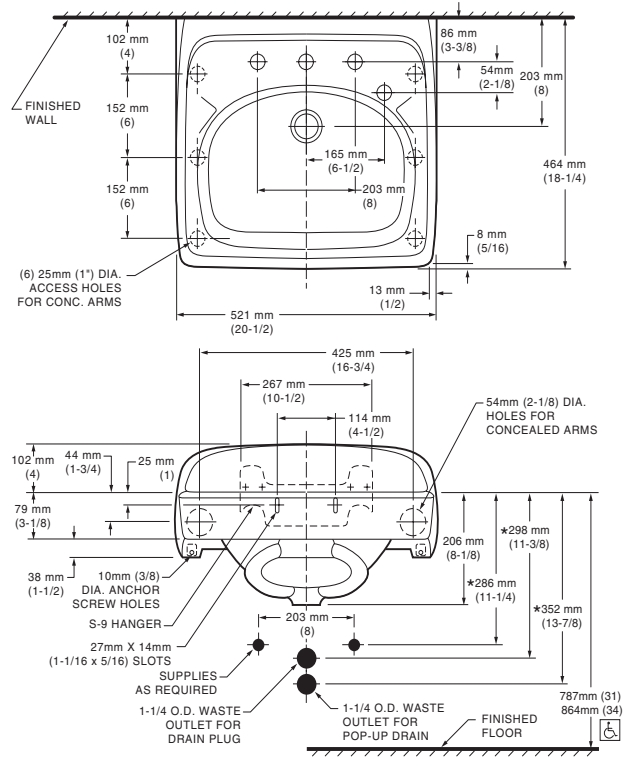


MEETS THE AMERICANS WITH DISABILITIES ACT GUIDELINES AND ANSI A117.1 ACCESSIBLE AND USABLE BUILDINGS AND FACILITIES - CHECK LOCAL CODES.  
Top of front rim mounted 864mm (34") from finished floor.

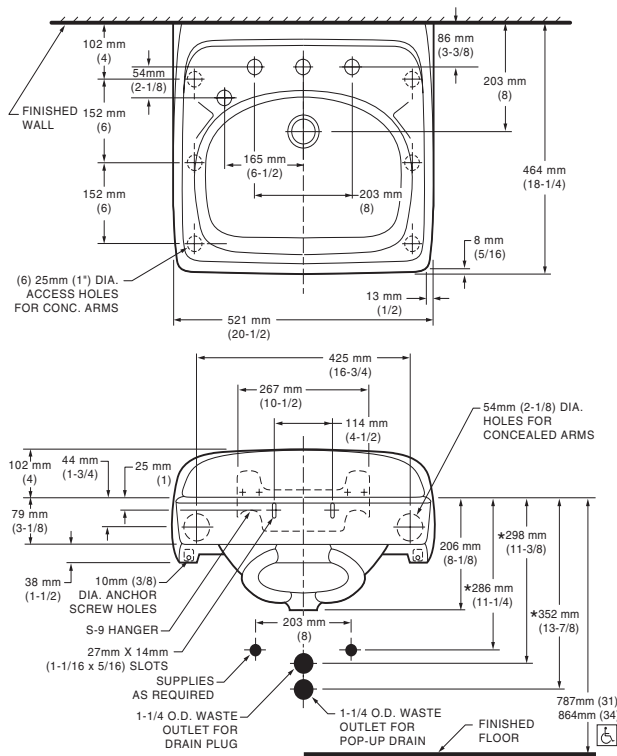
## 0356.015 8" CTRS FOR WALL HANGER OR CONCEALED ARMS



## 0356.037 8" CTRS FOR WALL HANGER OR CONCEALED ARMS EXTRA RIGHT HAND HOLE



## 0356.073 8" CTRS FOR WALL HANGER OR CONCEALED ARMS EXTRA LEFT HAND HOLE



### NOTES:

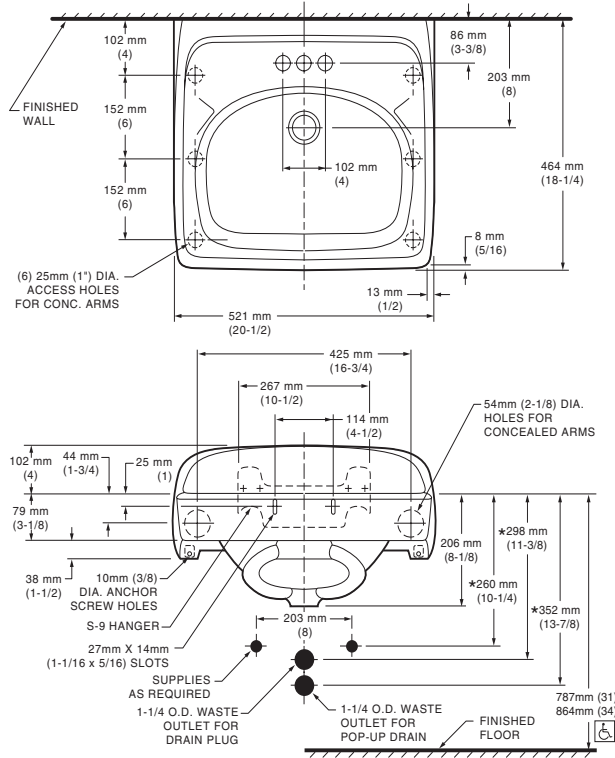
\* DIMENSIONS SHOWN FOR LOCATION OF SUPPLIES AND "P" TRAP ARE SUGGESTED. PROVIDE SUITABLE REINFORCEMENT FOR ALL WALL SUPPORTS. FITTINGS NOT INCLUDED AND MUST BE ORDERED SEPARATELY. CONCEALED ARM SUPPORT AS REQUIRED TO BE FURNISHED BY OTHERS.

**IMPORTANT:** Dimensions of fixtures are nominal and may vary within the range of tolerances established by ANSI Standard A112.19.2. These measurements are subject to change or cancellation. No responsibility is assumed for use of superseded or voided pages.

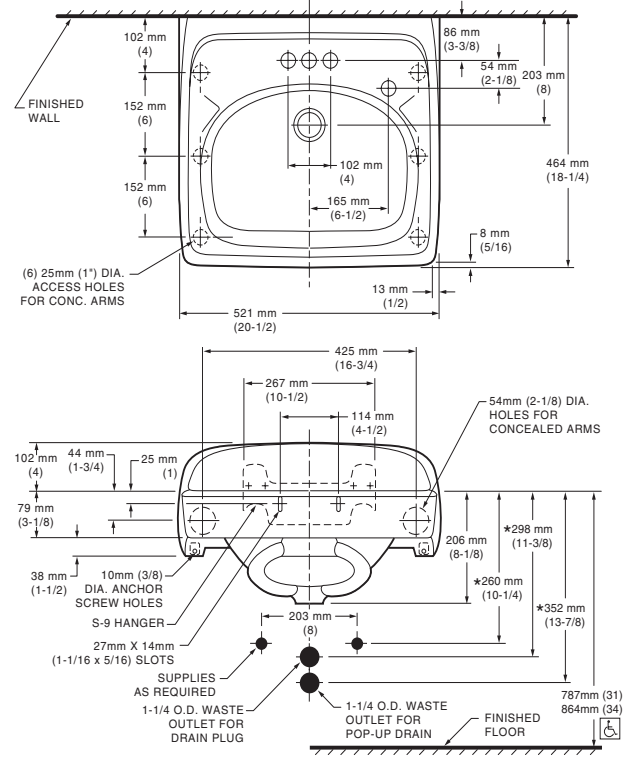


LAVATORY DESIGNED TO MEET ADA HANDICAPPED GUIDELINES WITH MOUNTING HEIGHT SET AT 864MM (34") ABOVE FINISHED FLOOR.

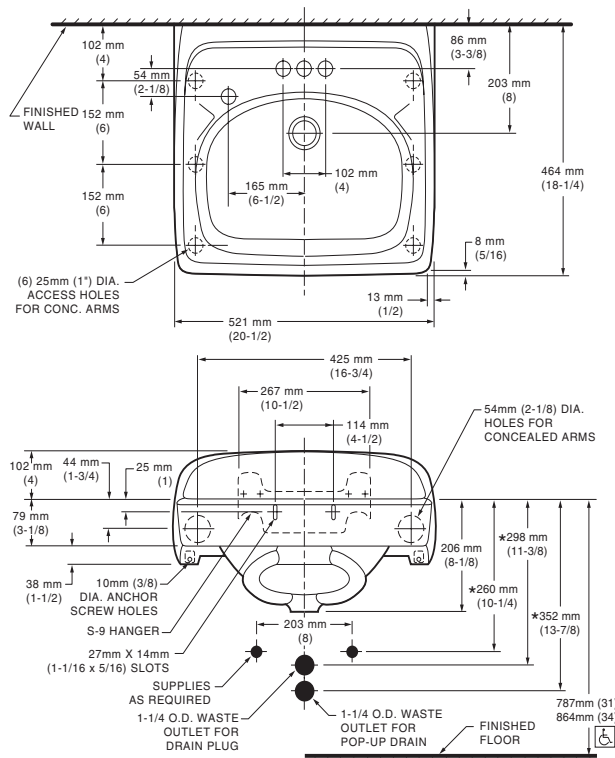
## 0355.012 4" CTRS FOR WALL HANGER OR CONCEALED ARMS



## 0355.034 4" CTRS FOR WALL HANGER OR CONCEALED ARMS EXTRA RIGHT HAND HOLE



## 0355.056 4" CTRS FOR WALL HANGER OR CONCEALED ARMS EXTRA LEFT HAND HOLE



### NOTES:

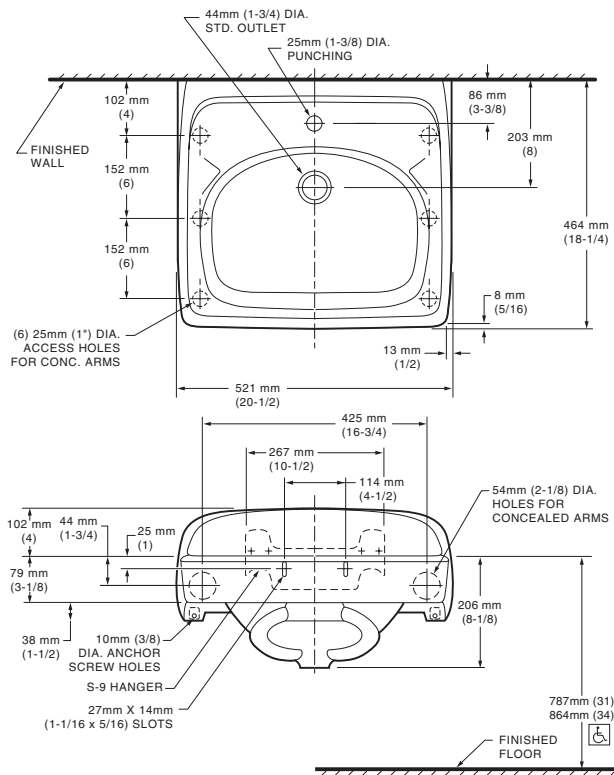
\* DIMENSIONS SHOWN FOR LOCATION OF SUPPLIES AND "P" TRAP ARE SUGGESTED. PROVIDE SUITABLE REINFORCEMENT FOR ALL WALL SUPPORTS. FITTINGS NOT INCLUDED AND MUST BE ORDERED SEPARATELY. CONCEALED ARM SUPPORT AS REQUIRED TO BE FURNISHED BY OTHERS.

**IMPORTANT:** Dimensions of fixtures are nominal and may vary within the range of tolerances established by ANSI Standard A112.19.2. These measurements are subject to change or cancellation. No responsibility is assumed for use of superseded or voided pages.

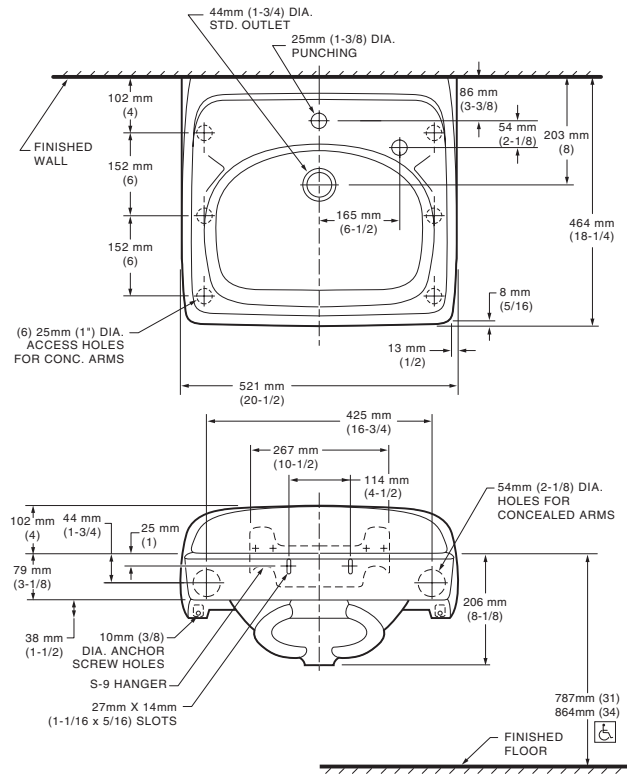


LAVATORY DESIGNED TO MEET ADA HANDICAPPED GUIDELINES WITH MOUNTING HEIGHT SET AT 864MM (34") ABOVE FINISHED FLOOR.

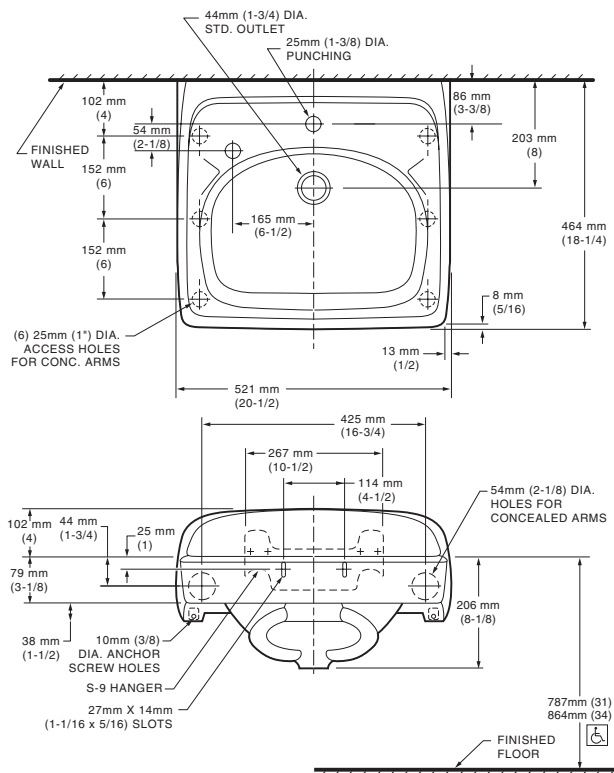
### 0356.421 SINGLE CENTER HOLE FOR WALL HANGER OR CONCEALED ARMS



### 0356.137 SINGLE CENTER HOLE FOR WALL HANGER OR CONCEALED ARMS WITH EXTRA RIGHT HAND HOLE



### 0356.115 SINGLE CENTER HOLE FOR WALL HANGER OR CONCEALED ARMS WITH EXTRA LEFT HAND HOLE



#### NOTES:

\* DIMENSIONS SHOWN FOR LOCATION OF SUPPLIES AND "P" TRAP ARE SUGGESTED. PROVIDE SUITABLE REINFORCEMENT FOR ALL WALL SUPPORTS. FITTINGS NOT INCLUDED AND MUST BE ORDERED SEPARATELY. CONCEALED ARM SUPPORT AS REQUIRED TO BE FURNISHED BY OTHERS.

**IMPORTANT:** Dimensions of fixtures are nominal and may vary within the range of tolerances established by ANSI Standard A112.19.2. These measurements are subject to change or cancellation. No responsibility is assumed for use of superseded or voided pages.



**LAVATORY DESIGNED TO MEET ADA HANDICAPPED GUIDELINES WITH MOUNTING HEIGHT SET AT 864MM (34") ABOVE FINISHED FLOOR.**